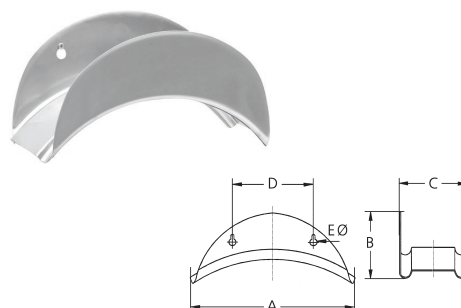


Wall-mounted hose supports for workshop

Advantage / benefit:Extremely stable, solid design and workmanship
 Area of application:For industry, workshop, filling stations etc.

Wall-mounted hose supports for workshop, sheet steel

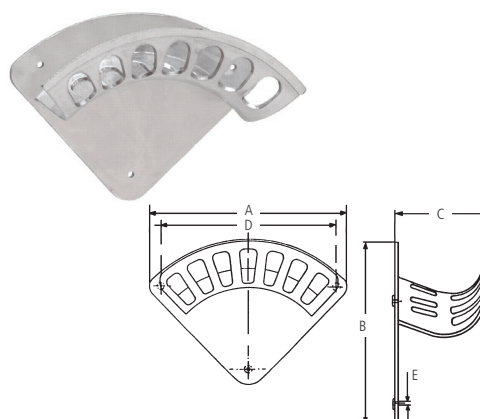
Material	Sheet steel, galvanised	Sheet steel, silver powder-coated
A mm	280	280
B mm	140	140
C mm	130	130
D mm	140	140
E mm	Ø 11,7	Ø 11,7
PU units	1	1
Covering box units	50	50
Catalogue no.	5109	5110
Item no.	42.5109	42.5110



Wall-mounted hose supports for workshop form A, light metal

Material: Light metal cast from one piece

A mm	190	257	339	414
B mm	147	189	247	301
C mm	70	106	136	188
D mm	153	228	304	380
E mm	Ø 8,5	Ø 8,5	Ø 8,5	Ø 8,5
PU units	1	1	1	1
Covering box units	250	150	190	100
Catalogue no.	5120	5121	5122	5123
Item no.	42.5120	42.5121	42.5122	42.5123

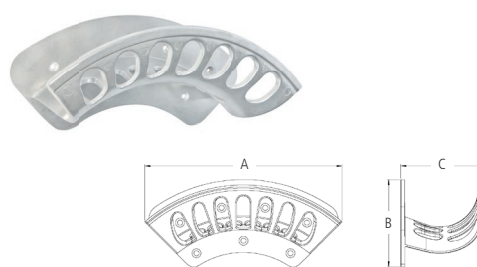


5

Wall-mounted hose supports for workshop form B, light metal

Material: Light metal cast from one piece

A mm	189	254	350	389
B mm	86	113	151	170
C mm	70	106	136	188
PU units	1	1	1	1
Covering box units	250	200	200	80
Catalogue no.	6120	6121	6122	6123
Item no.	88.7589	88.7590	88.7591	88.7599



Wall-mounted hose supports, stainless steel

Wall-mounted hose supports, stainless steel

A mm	220
B mm	130
C mm	170
PU units	1
Catalogue no.	5130
Item no.	42.5130

